



PWCA-100N

Wave guide to Coaxial Adapter,
WR90 to N Female,FBP100 Square

Electrical

Frequency Range	8.2-12.5 GHz	Waveguide Size	WR90/R100
Impedance	50 ohm	Flange Type	UBR100/FBP100,Square
VSWR	1.2 Max	Coax Connector	N Female
Average Power	-	Body Geometry	Right Angle

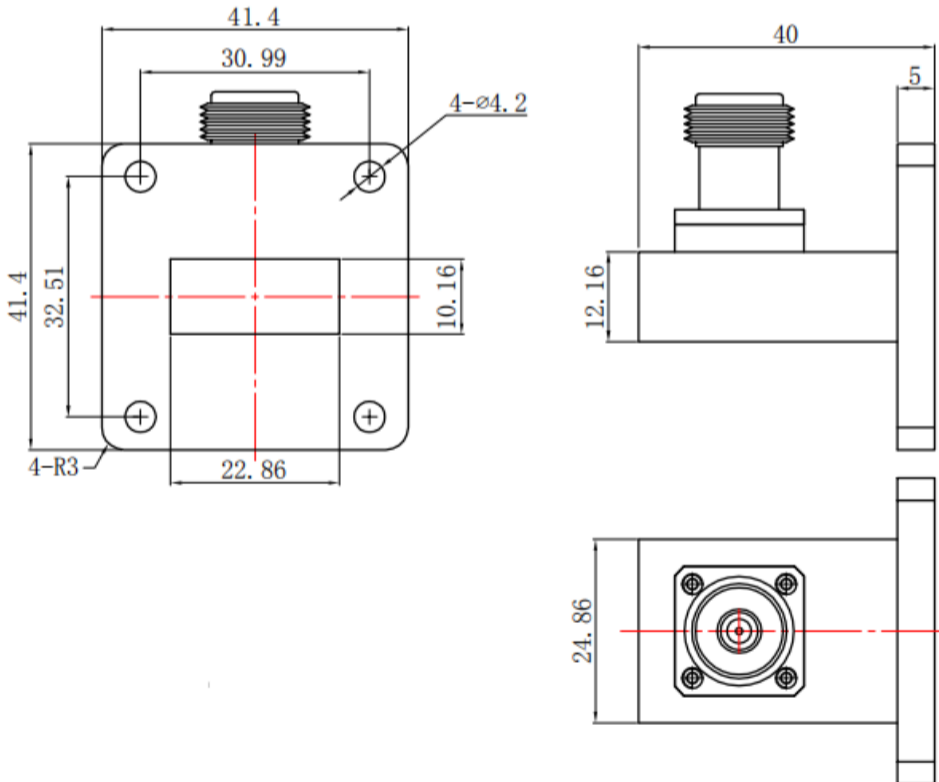
Configuration

Materials

Waveguide Body	Copper, black or grey painted	Operating Temp	-40°C to 70°C
Connector Body	Passivated stainless steel	Connector Interface	MIL-STD-348
Center Contact	Gold plated beryllium copper	RoHS	Compliant

Mechanical & Environmental

Dimensions(mm) Tolerance±1%



Typical Test Data

